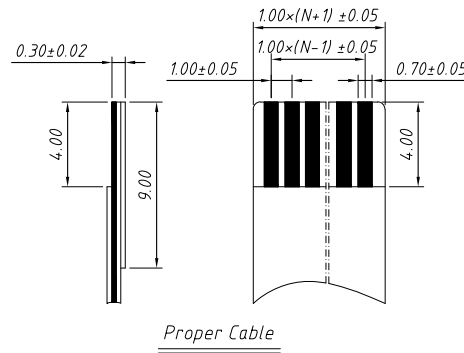
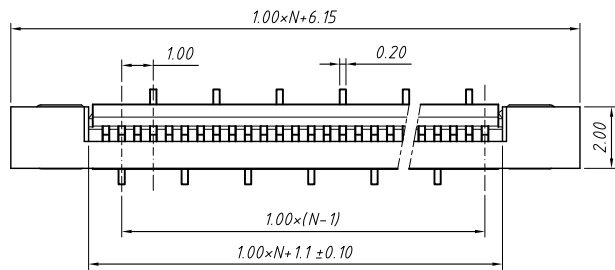


Material  
 Housing: LCP UL94V-0  
 Lock: LCP UL94V-0  
 Plug spring: Phosphor Bronze, Gold/Tin  
 Soldering: Phosphor Bronze, Gold/Tin

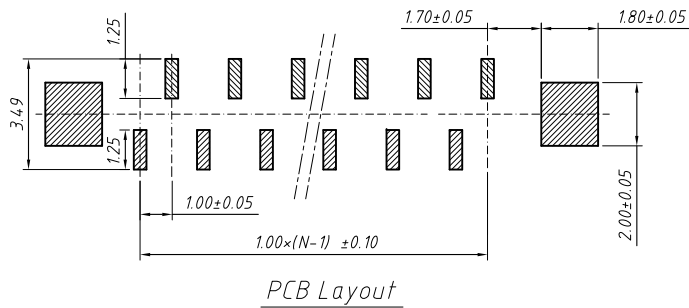
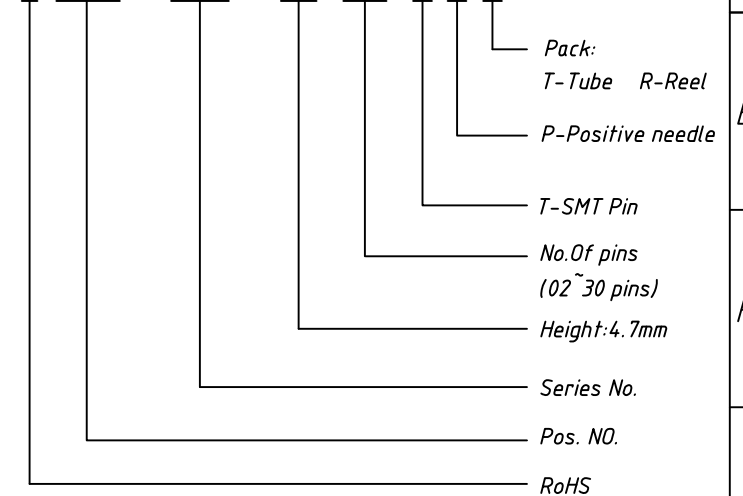
Electrical  
 Voltage rating: 50 V  
 Current rating: 0.4 A  
 Withstanding Voltage: 500 MΩ.Min.  
 Contact resistance: 20 mΩ.max.

Mechanical  
 Temp. Range: -25 °C ~ +85 °C



Order Information

L-KLS1- 242E - 4.7- XX -T-P-R



GENERAL TOLERANCE	ANGLE TOLERANCE	PROJECTION	Description:
X. ±0.30	X. ±5°	UNITS	CONN FFC 1.00mm, Positive needle, SMD, Vertical, with ZIF
.X ±0.25	.X ±2°	SHEET SIZE	
.XX ±0.20	.XX ±1°	KLS P/N:	

Draw by: Date	2018-03-10
Check by: Date	2018-03-10
SCALE	SHEET OF

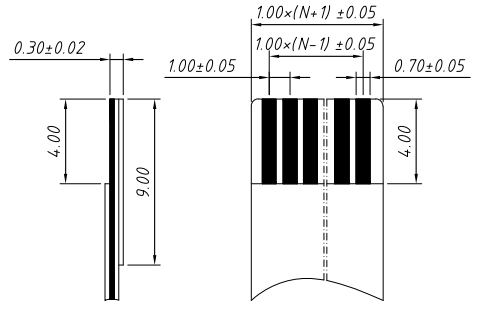
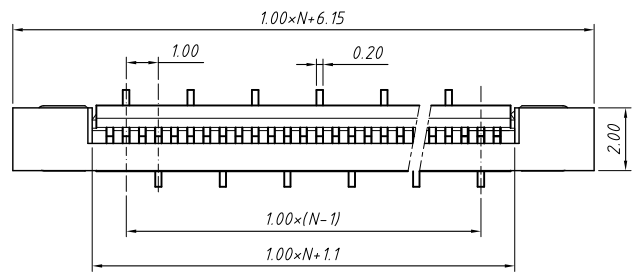
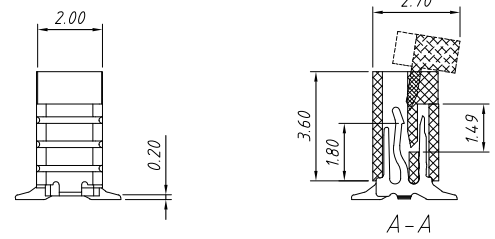
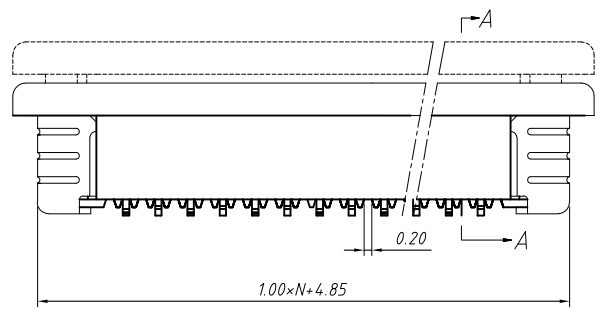
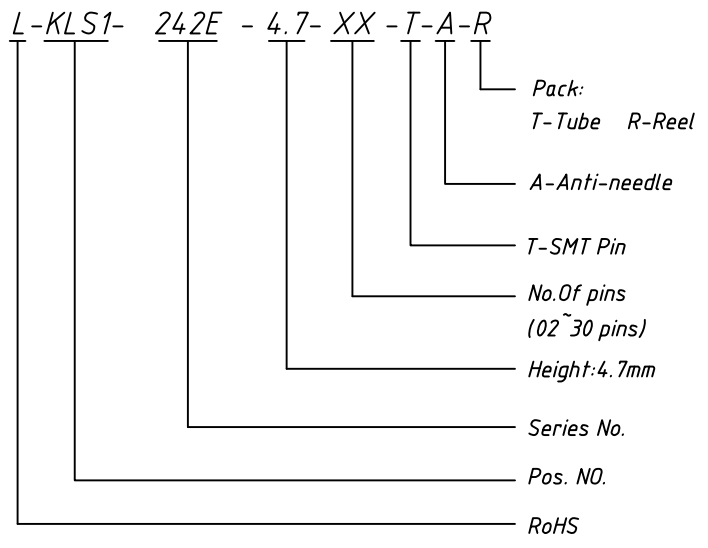
**KLS**  
 NingBo KLS ELECTRONIC CO.,LTD.

**Material**  
 Housing: LCP UL94V-0  
 Lock: LCP UL94V-0  
 Plug spring: Phosphor Bronze, Gold/Tin  
 Soldering: Phosphor Bronze, Gold/Tin

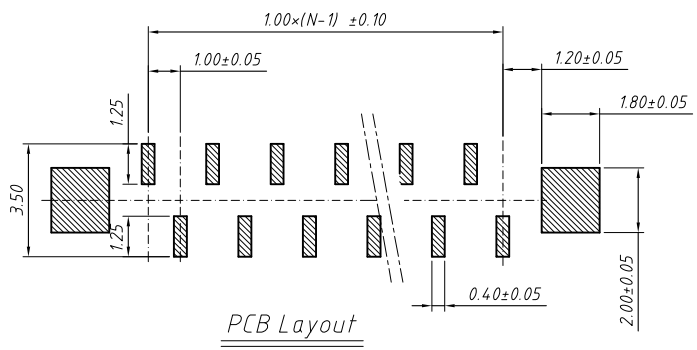
**Electrical**  
 Voltage rating: 50 V  
 Current rating: 0.4 A  
 Withstanding Voltage: 500 V  
 Insulation resistance: 500M $\Omega$ .Min.  
 Contact resistance: 20 m $\Omega$ .max.

**Mechanical**  
 Temp. Range: -25 °C ~ +85 °C

**Order Information**



Proper Cable



GENERAL TOLERANCE	ANGLE TOLERANCE	PROJECTION	Description:
X. ±0.30	X. ±5°	UNITS	CONN FFC 1.00mm, Anti-needle, SMD, Vertical, with ZIF
.X ±0.25	.X ±2°	SHEET SIZE	
.XX ±0.20	.XX ±1°	KLS P/N:	
Draw by: Date		2018-03-10	
Check by: Date		2018-03-10	
SCALE		SHEET OF	

**KLS**  
 NingBo KLS ELECTRONIC CO.,LTD.